

Installation of Alloc HPL products in wet rooms

Alloc AS has decided to remove the brackets prohibiting installations in wet-rooms in our brochures for the following products:

- Alloc Universal
- Alloc Commercial
- Alloc Original

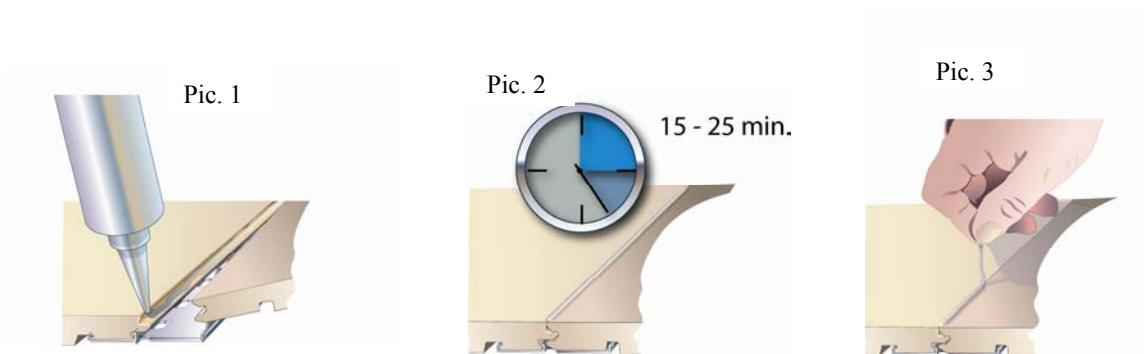
This means that these products can in fact be installed in wet-rooms under certain circumstances.

This document is particularly describing the precautions taken for such installations.

Installation precautions:

The edges of the panels must be added Casco Aquatett or ClickGuard, or similar non-curing silicone. Use ClickGuard, or similar non-curing silicone, during installation. The requirements for non-curing silicone are described in MSDS for ClickGuard.

Apply as much non-curing silicone needed to squeeze it up from the joint after connecting the panels.



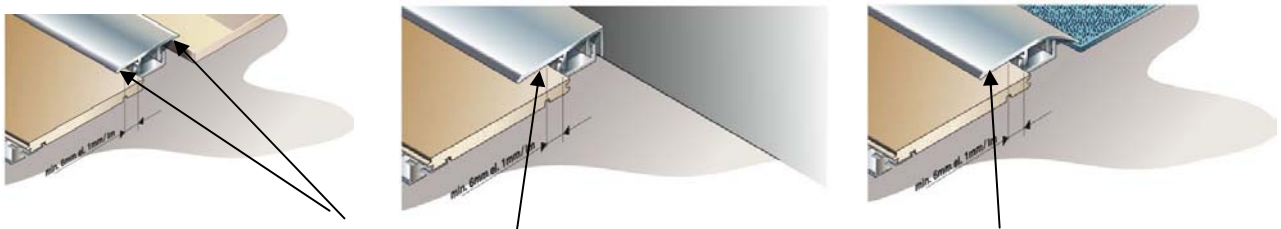
The sub-floor must comply with the existing requirements for evenness (levelled sub-floor, ± 2 mm per 2 m). The sub-floor cannot slope. When installed on levelled sub-floors including a drain, the underside of the edges of the drain itself must be filled with silicone.

Alloc can not be installed in combination with showers or other areas which are heavily exposed with water (direct continuous water spray).

0,2 mm PE-foil must be installed before installation of Alloc.

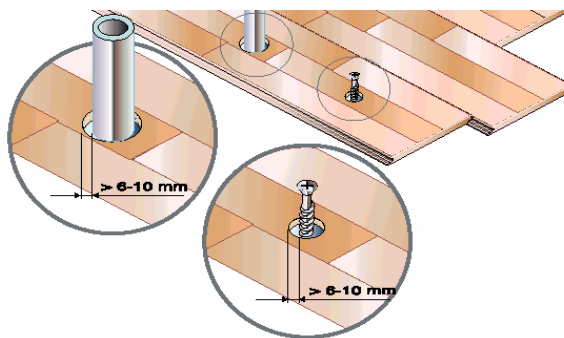
The floor can be installed under a shower cabinet, but the drain must be secured with silicone in order to prevent water leakage to the edges of the hole of the Alloc floor.

The underside of the foot mouldings along the walls which are in contact with the surface of the floor must be added silicone in order to prevent water from leaking under the installed floor. This also applies for lists used for transmissions or endings.



When installing lists are used, apply non-curing silicone on top of the surface which will be concealed by the moulding itself. Apply so much non-curing silicone that the silicone will be squeezed out from under the moulding when mounting it. Wait 15-20 min and tear of the visible silicone (as pict. 2 and 3, above).

When drilled holes are made, these openings shall be protected with silicone, or the covers that enclose the holes shall be protected with non-curing silicone.



Following these precautions, Alloc Commercial, Alloc Original and Alloc Universal can be installed in:

- Bathrooms with moderate water spillage.
- Laundry rooms with expected high moisture level.
- Restrooms outside saunas and restrooms next to pools.
- Dressing rooms wardrobe rooms next to showers.
- Toilets